

Installation Instructions for the 16-mm Sample Tube

The 16-mm Sample Tube kit (P/N: 239-33010-00) for the Gemini VII 2390 consists of the following:

- Two sample tubes (with stoppers), 16 mm OD
- Two hanging filler rods
- Two connectors with hooks attached
- Two connector nuts
- Two O-rings
- Two ferrules
- One 11/16 x 3/4 open-end wrench
- Left and right Dewar covers, modified

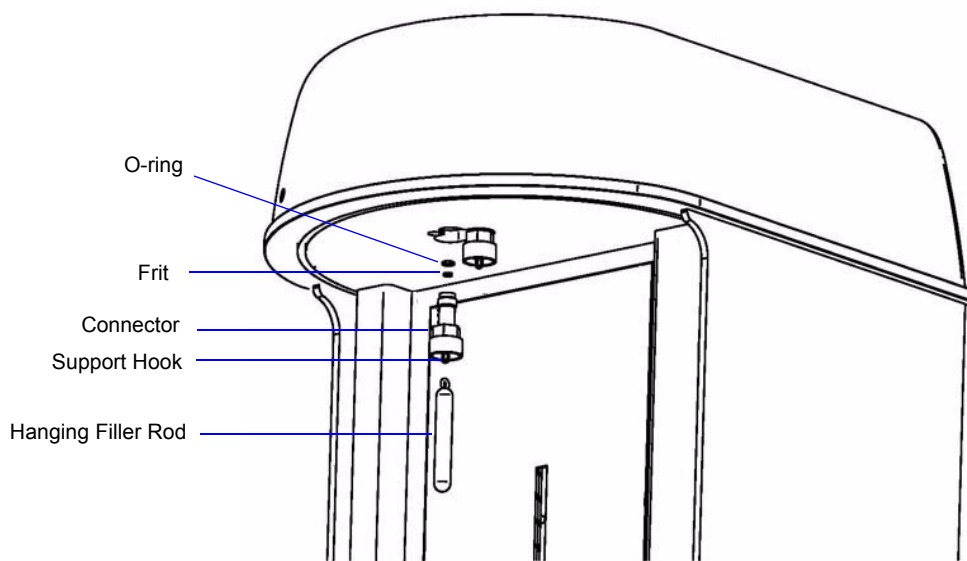
Using the parts provided in the kit, install the sample tubes on the sample and balance ports as follows:

1. Using the 11/16-in. end of the wrench, remove the sample connectors from both ports.
2. Remove and inspect the port frits and O-rings for contamination and wear; replace if needed (these components are not included in the Sample Tube kit).
 - A 2- μ m frit is used in the balance port
 - A 40- μ m frit is used in the sample port

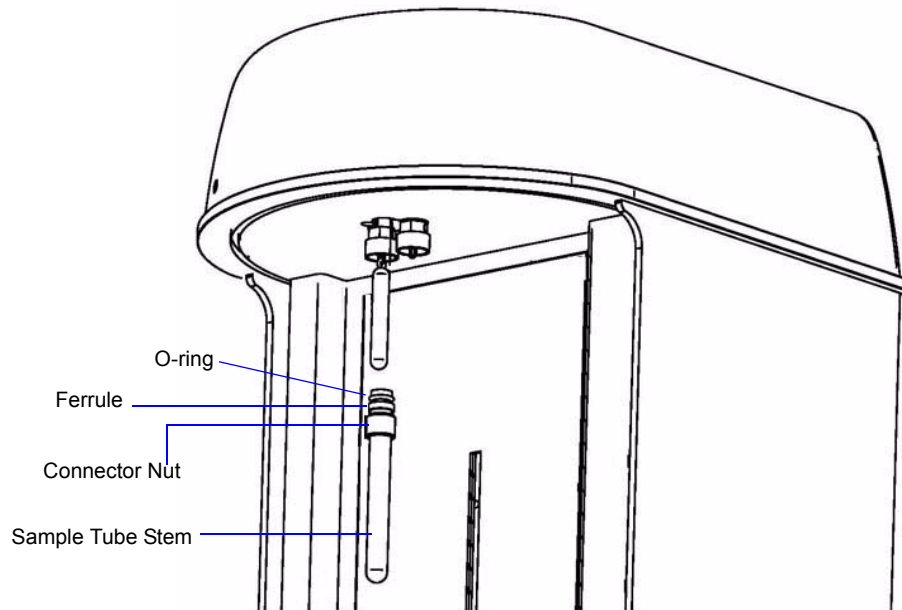


Be sure to use a 40- μ m frit in the sample port. The instrument will not operate properly if a 2- μ m frit is installed in the sample port.

3. Insert a hooked connector, frit, and O-ring into the balance port. Tighten the connector using the 3/4-in. end of the wrench, then turn the hook clockwise to ensure a snug fit.



4. Attach a filler rod to the support hook.
5. Place a sample tube connector nut, a ferrule, and an O-ring on the balance tube stem.



6. Attach the balance tube to the port. Make sure it is fully in the port. Secure it in place by screwing the connector nut onto the port; hand-tighten the connector nut.
7. Repeat Steps 3 through 6 for the sample port.



Measure must be selected for the free space option with these components installed.