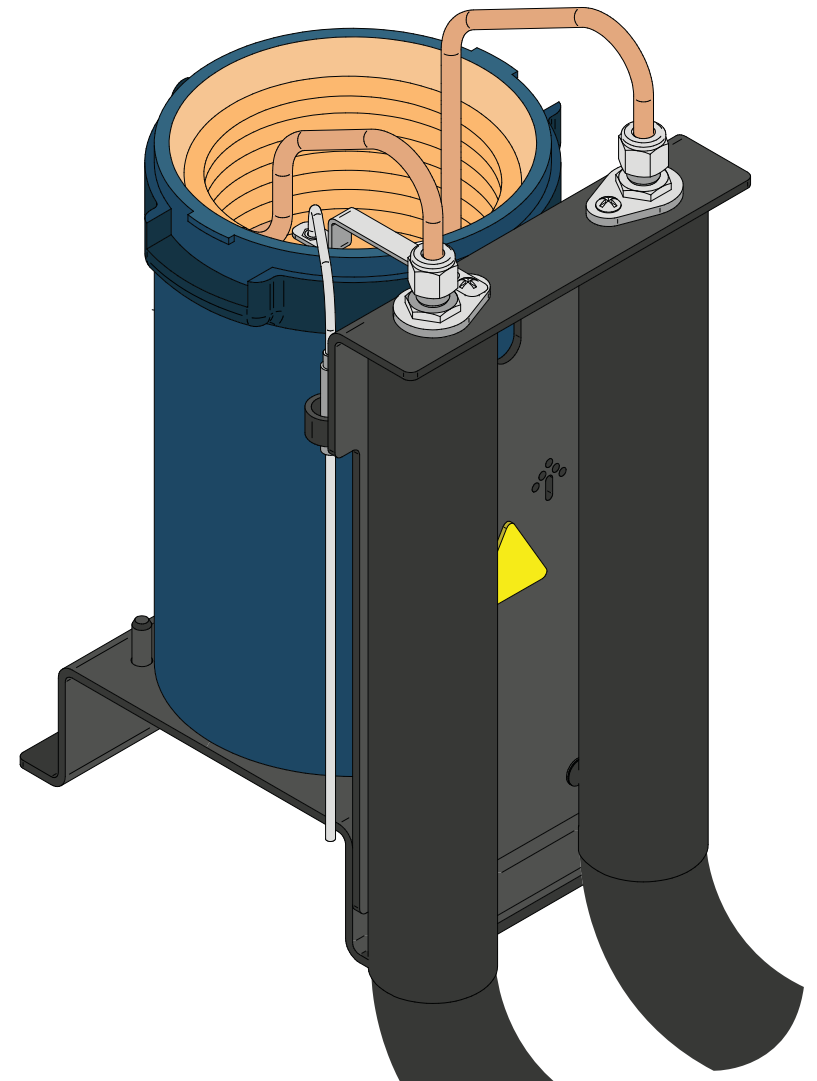




CHILLER DEWAR

Quick Start Guide



Micromeritics Instrument Corporation

4356 Communications Drive, Norcross, GA 30093 USA

To request a quote or additional product information, visit
www.micromeritics.com

Contact your local Micromeritics sales representative,
or our Customer Service Department at:
770.662.3636

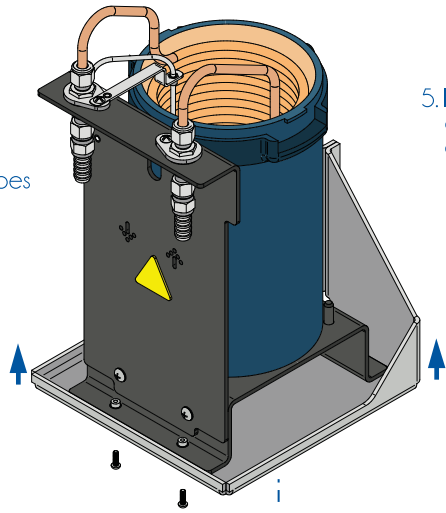


© All Rights Reserved 2015, Micromeritics Instrument Corporation,
Norcross, Ga 30093. 770-662-3636. Printed in the USA.

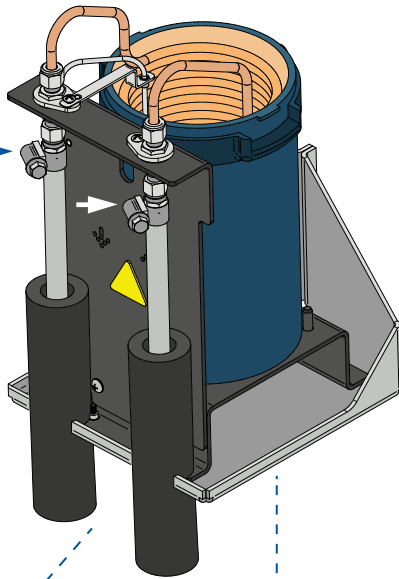
4you

025/42801/00

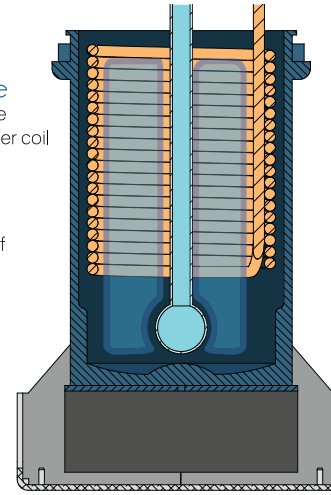
1. Center dewar on the elevator and ensure clearance around sample tubes
2. Raise elevator halfway
3. Align & fasten screws



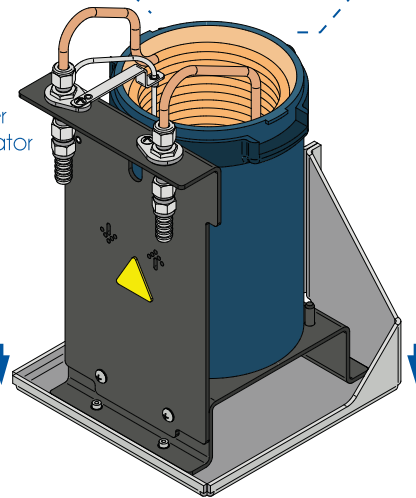
5. Install hoses and hose clamps



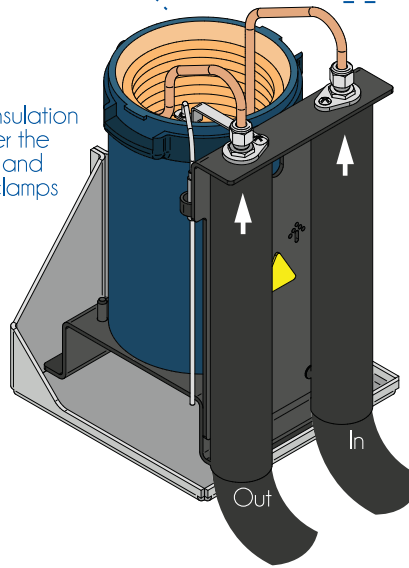
7. Install sample tube
Avoid sample tube contact with copper coil
8. Fill dewar
Liquid level must reach the bottom of the top copper coil



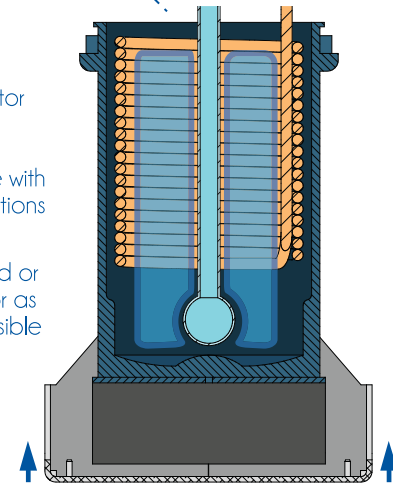
4. Lower elevator



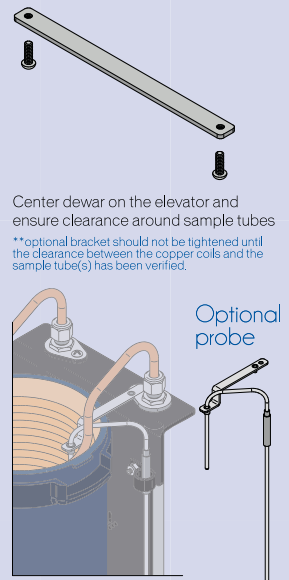
6. Slide insulation up over the tubing and hose clamps



9. Raise elevator all the way, ensure no interference with the connections
10. Install shield or close door as far as possible



Alternative bracket configuration



Center dewar on the elevator and ensure clearance around sample tubes
 **optional bracket should not be tightened until the clearance between the copper coils and the sample tube(s) has been verified.

Optional probe

When using the optional probe, affix position of the probe tip to align with sample tube